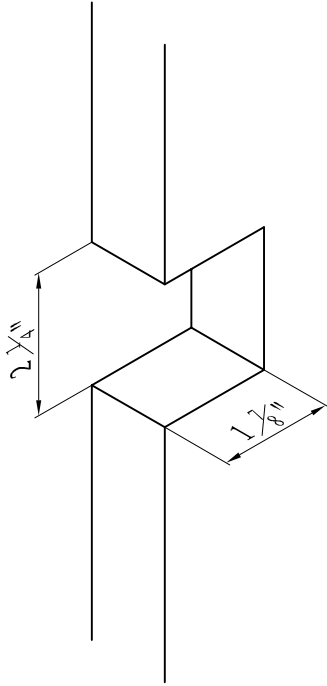
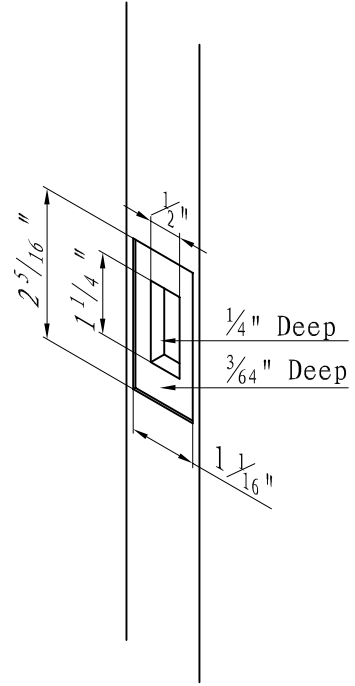


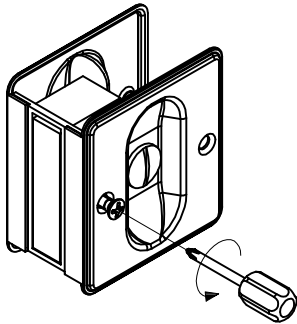
1. Door Prep



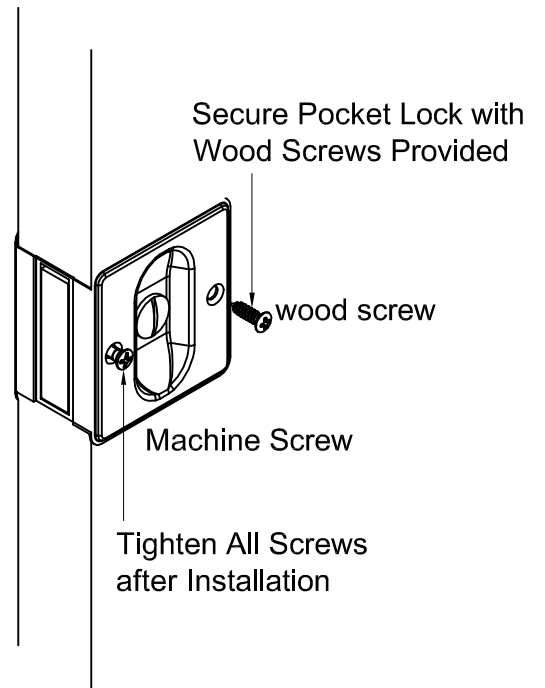
2. Jam Prep



3. Loosen Machine Screws before Installing Lock



5. Secure Pocket Lock



4. Install Pocket Lock

